



ROFU 2400 Kit Installation instructions

ROFU Security International Corp.
6818 S 220th ST
Kent, WA 98032
(253) 922-1828
www.ROFU.com
OrderEntry@ROFU.com

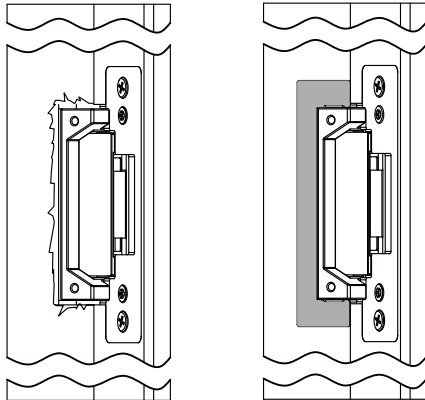


The ROFU 2400 kit is designed for use with cylindrical locksets. It has a keeper depth of 1/2" (12mm), and can accept a 5/8" latch bolt with up to a 1/8" door gap. The kit is supplied with two stainless steel faceplates, an ANSI 1 1/4" x 4 7/8" and an 1 7/16" x 7 15/16" faceplate. The strike has a low depth profile of 1 1/4" overall and it is designed to easily install into an aluminum storefront or hollow metal jamb. Also in the kit we include mounting tabs, and all the screws you could need.

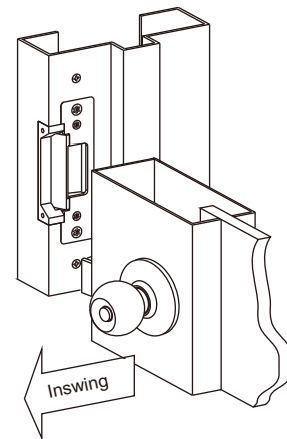
Specifications

Operation	Fail-secure or Fail-safe
Operating Voltage	12/24 VDC
Current Draw	300mA/12VDC, 150mA/24VDC
Static Strength	1,000 lbs. (454kg)
Dynamic strength	50-ft-lbs. (6.91 m-kgs)
Operating Temperature	32°F to 120°F (0°C to 49°C)
Dimensions	4 7/8" x 1 1/4" x 1 1/4" (123.8 x 31.75 x 32.5mm)

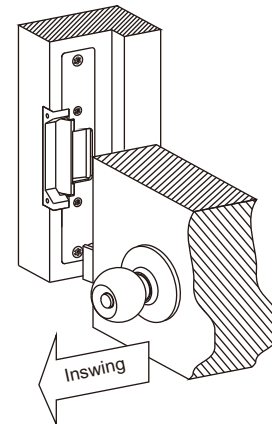
We now include a "trim plate" to cover "accidents" around the lip. These will not work on previous models as there were no mounting holes for the trim plate.



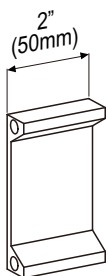
4 7/8" Faceplate w/ Cylindrical Lockset



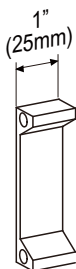
7 15/16" Faceplate w/ Cylindrical Lockset



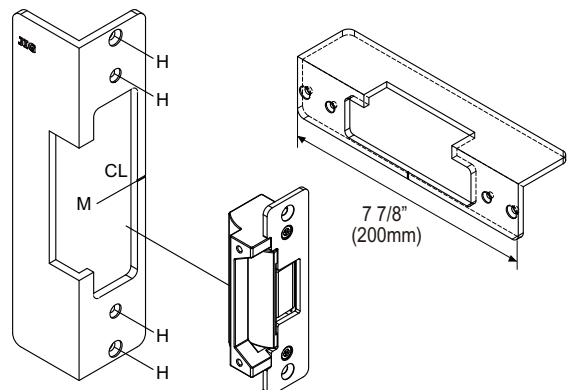
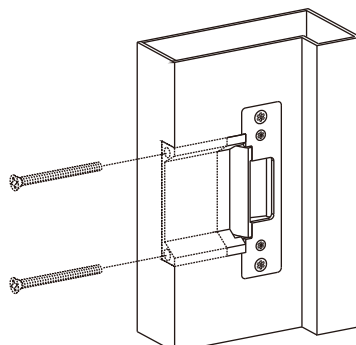
Optional Accessories



ROFU # 5550
2" Lip Extension



ROFU # 5525
1" Lip Extension



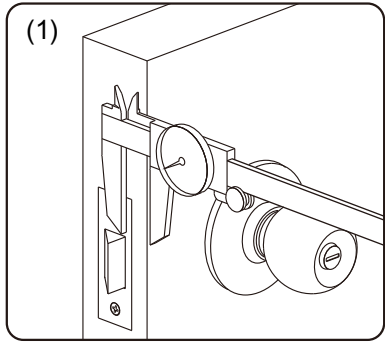
ROFU # 2402
Installation Jig



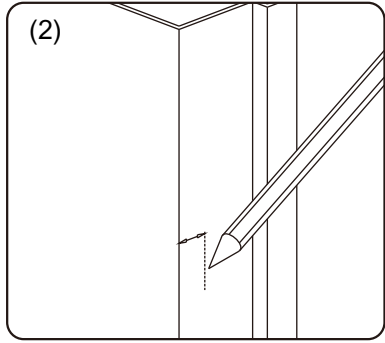
ROFU 2400 Kit Installation instructions

ROFU Security International Corp.
6818 S 220th ST
Kent, WA 98032
(253) 922-1828
www.ROFU.com
OrderEntry@ROFU.com

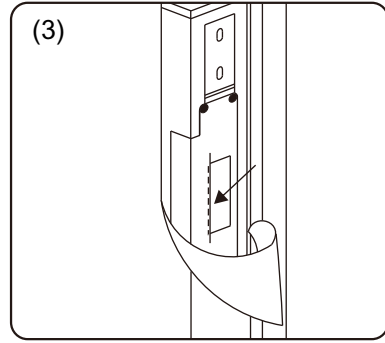
Installation Instruction



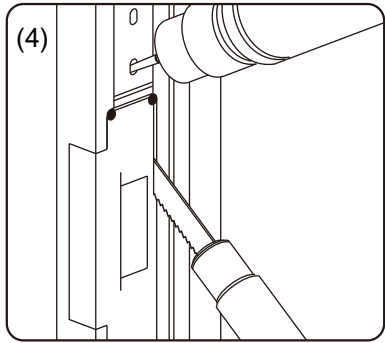
(1) Measure latch position



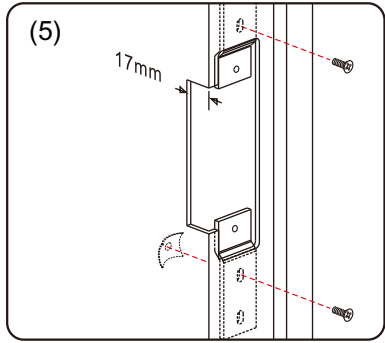
(2) Mark latch position line



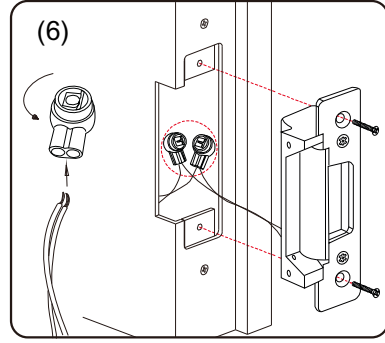
(3) Attach sticker template to marked center line



(4) Cut hole using template



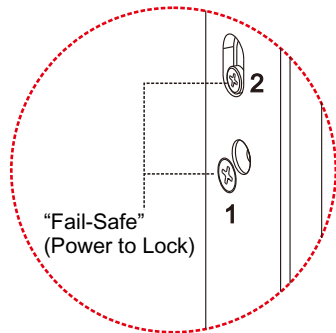
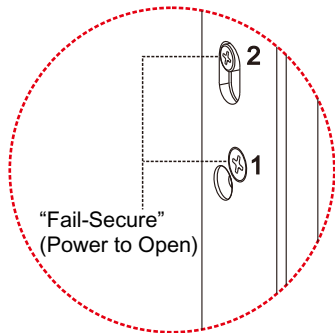
(5) Attach fixing lugs, and tabs if needed



(6) Connect the wires, and install the strike

Changing from Fail Secure to Fail Safe

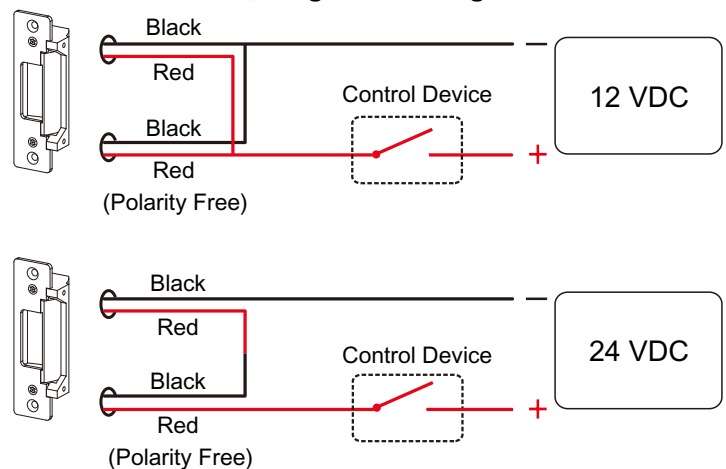
12VDC or 24VDC Plug-ins



When installed as Fail Secure

Check with your AHJ (Authority Having Jurisdiction) to ensure your installation is approved and there is no additional hardware required for emergency exit from a secure area.

Voltage selection Improvement! Pick it, Plug it and Energize it



Caution:

If the strike is binding, please check for proper alignment between the keeper and latch bolt. Adjust the lock or the strike / faceplate if necessary. This strike is not designed for backpressure.